

VingCard Signature RFID Electronic Lock

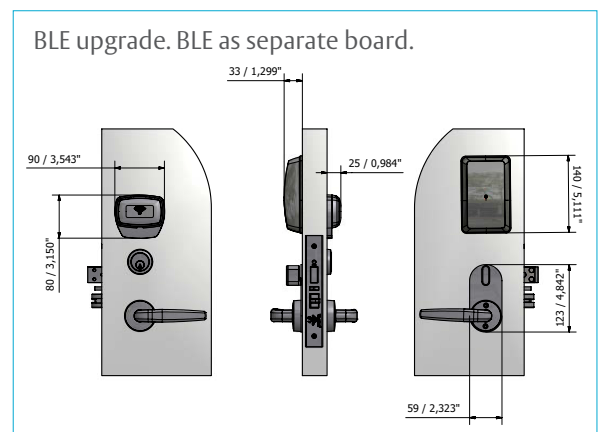
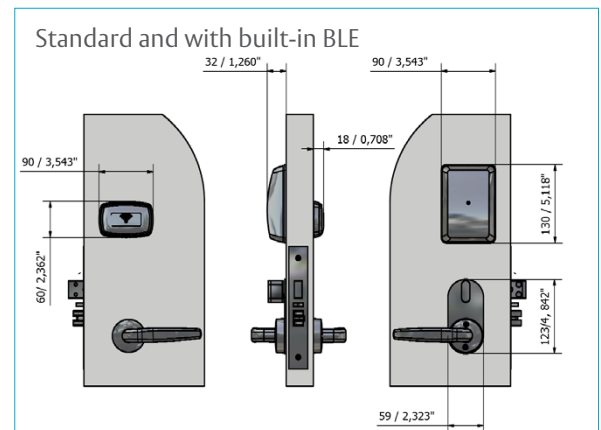
With Signature RFID you are provided with a stylish and modern lock that appeals to the modern environment. Signature RFID is less on the door while more in terms of functionality for you and your users.



FEATURES

- : Supports the latest RFID technology
- : Supports Mobile Access
- : Online compatible
- : Easy upgrade from Signature Magstripe or Combo
- : Fire listed for use on fire doors (UL, BS, EN)
- : Case hardened full 1-inch (ANSI) throw deadbolt
- : Panic release function – the deadbolt and latch are automatically retracted by inside handle for easy regress in emergency situations
- : Stainless steel parts for mechanical strength, corrosion resistance and attractive appearance
- : Optional high security mechanical override cylinder
- : Detailed audit trail: 2000 events in offline mode and unlimited events in online mode (stored in local server)
- : RFID Specifications:
 - 13,56MHz technology
 - Compatible with the following standards:
 - ISO 14443 A (MIFARE including Desfire)
 - ISO 14443 B
 - ISO 15693

DIMENSIONS



ASSA ABLOY
Global Solutions

The global leader in
door opening solutions

TECHNICAL DATA

Power	4,5 V DC (3 x AA alkaline batteries).
Battery location	Inside of the room.
Material	Thumbturn escutcheon: Stainless steel, quality SS316. Handles: Stainless steel quality SUS304. Battery cover: Polycarbonate (Makrolon 6265-vo / Lexan 945).RFID cover: Polycarbonate UL94V0 (Makrolon 6555)
Metal finishes	Satin Chrome, Polished Chrome, Satin Brass, Polished Brass, Light Bronze, Velour Nickel, US Antique Dark and Black Titanium.
Standard plastic color	Black RAL 9005 (RFID cover and battery cover).
Handle options in standard range	VingCard standard handles and Valli & Valli designer collection handles.
Emergency opening options	Electronic emergency opening with service unit and optional mechanical cylinder.
User interface	3 colored LED display (green, red, yellow) plus Blue color and acoustic beeper if reader with built-in BLE is selected.
Locking mechanism	Electro-mechanical locking mechanism located in the lockcase.
Door thickness	34 - 120 mm / 1,34 - 4,72 Inches.
System software compatibility	Visionline and Vostio.
Online compatibility	Wireless (based on ZigBee protocol) or wired (PoE/Ethernet) in Visionline.
Storage temperature	0-70 °C / 32-158 °F: non-condensing environment.
Tested operating temperature	Tested from -25 °C to 70 °C (-13 °F to 158 °F), according to IEC 60068-2.
Certifications	European EMC, LVD and R&TTE Directives Fire approved according to EN 1634-1 Fire approved according to UL (timber doors and metal doors). Fire approved according to German MPA standard. FCC/IC for US and Canada.
Mobile Access support	Reader with built-in BLE or mobile access board add-on.
IP rating for reader	IP 56

LOCKCASE DIMENSIONS

ANSI lock case variants	ANSI DA, ANSI DB (both available in the following versions:4-switch, Auto deadbolt (ADB) Australia version (AUS) and Japan (JPN) version).
ANSI lock case widths	25 mm / 0,98 inches, 28 mm / 1,10 inches, 32 mm / 1,26 inches.
ANSI backset	70 mm / 2,76 inches.
EURO lock case variants	EURO, EURO ADB, EURO MPA.
EURO lock case widths	20 mm / 0,79 inches, 22 mm / 0,87 inches, 24 mm / 0,94 inches.
EURO backsets	65 mm / 2,56 inches, 80 mm / 3,15 inches.

* BLE: Bluetooth Low Energy

